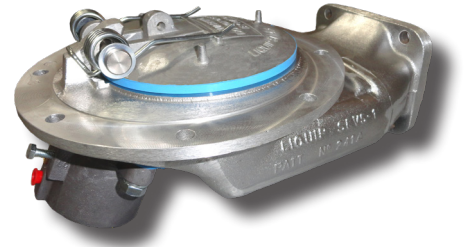


SLV5-ARO Air Operated Emergency Valve

The Liquip bottom valve leads the industry with its low profile, low splash and vortex free design enabling faster tanker unloading than traditional mushroom poppet valves.

Used globally by road tankers that carry fuels, the Liquip SLV5 has become a benchmark for the industry. Easy to maintain because of its simplicity and low profile, excellent for both loading and discharge, this valve also reduces static created during flow by reducing splash and vortex.

The valve is operated with a pneumatic actuator, which lifts the hinged poppet (which also acts as a splash deflector).



SLV5-ARO Footvalve model shown

Key Features

- Incorporates the latest technical advancements to ensure fast and safe loading and discharge of road tankers.
- A unique hinged poppet design has a concave design which operates as a splash deflector, eliminating vortexing and reducing splash, surge and static build up during loading and unloading.
- The valve is installed in the compartment floor and controls the flow of product from each compartment.
- Incorporates a shear groove that is designed to retain the compartment contents in the event of accidental damage to the outlet piping or API adaptors.
- Minimal pressure drop across the system.
- Can be operated pneumatically or manually.
- Faster flow rates and a reduction in static electricity for improved and safer operation.
- Hinged poppet design gives minimum height, so valve requires very little clearance to drop out for servicing.
- Specially bonded lip seal design for superior sealing and extended life.
- Conforms with AS2809 requirements.
- ARO (air operator assembly) is easily removed and replaced.
- ARO supplied with a jacking screw to allow manual partial opening in the event of air pressure loss.

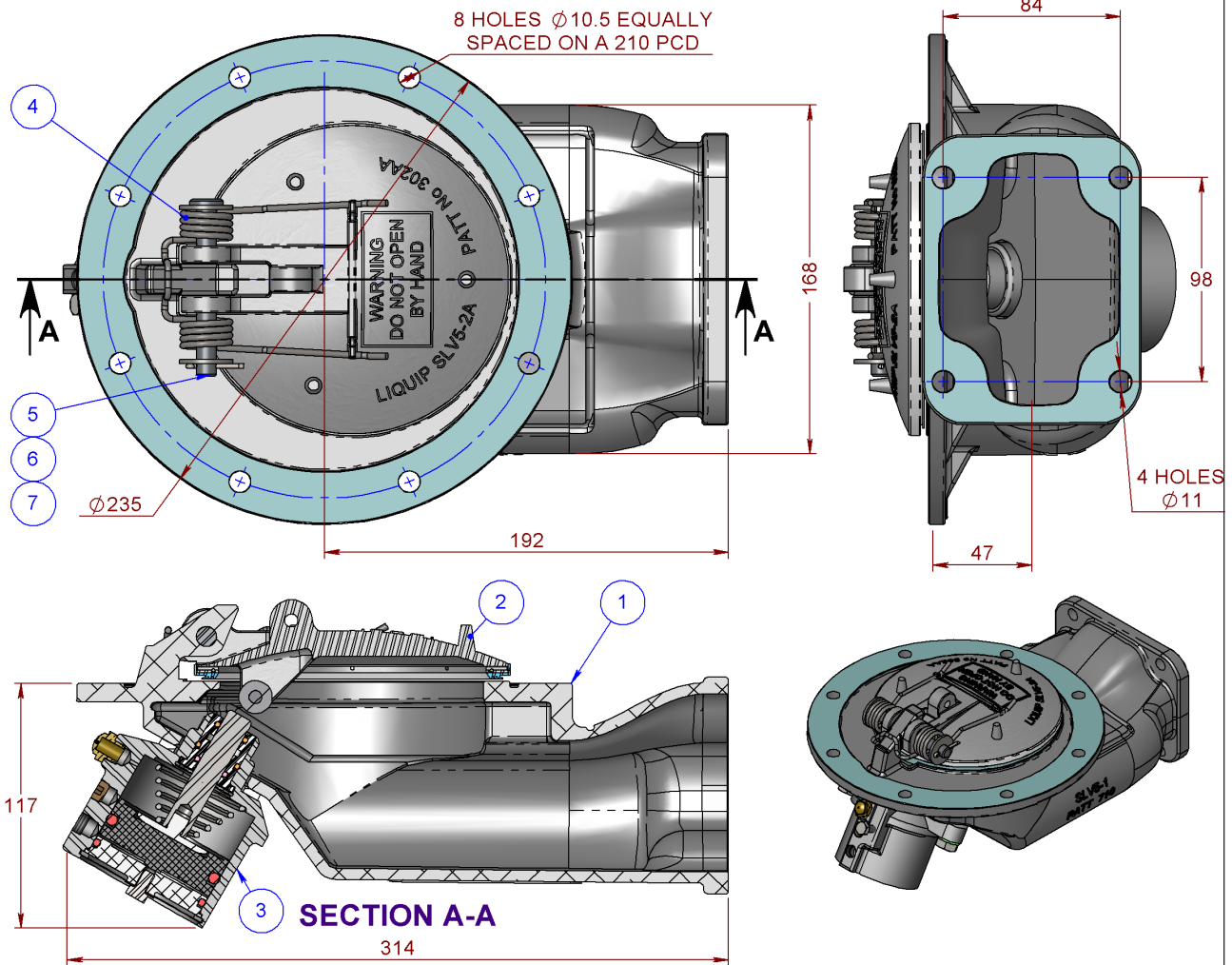
Technical Information

Periodic Service	No routine maintenance required. Check sealing of valve as required by authorities.
Dismantle	Air operator assembly is easily removable & replaceable, being a self-contained externally mounted assembly. To use jacking screw, remove from stored position & screw into base of the ARO100.
Pressure Rating	Nominal Ø100mm flow area except poppet is Ø125mm bore for minimal pressure drop. Needs a minimum of 350kPa of air pressure.
Air Consumption	Consumption 1.0L free air per stroke.
Mounting	Bolted to sump or tank flange at the bottom of tank 8 holes Ø9.5 on a 210 PCD. Outlet adaptor from rectangular to round is available in aluminium or steel.
Associated Equipment	AI/FFKM (Chemical): SLV5-AROC, Cable operated: SLV5CO, Manual operated: SLV5M,
Weight	3.6 kg
Materials	Aluminium body. Stainless steel main spindle/springs. Viton main seal bonded to aluminium poppet. Aluminium air ram body with acetal piston and Viton seals.

Ordering Information

Item	Description
SLV5-ARO	Air Operated Internal Valve with Bonded Viton A seals (suits aviation fuels).
SLV5-AROVG	Air Operated Internal Valve with Bonded Viton GFLT seal.
SLV5-AROZ	SLV5-ARO with Cork Gaskets (tank and pipe flange).
SLV5-AROVZ	SLV5-ARO with Viton A Gaskets (tank [3mm] and pipe [3mm] flange).
SLV5-AROTVZ	SLV5-ARO with Viton A Gaskets (tank [1.6mm] and pipe [3mm] flange).
SLV5-AROVGZ	SLV5-AROVG with Klinger Gaskets (tank and pipe flange).

SLV5-ARO EMERGENCY VALVE



ITEM	PART No	DESCRIPTION	SLV5-ARO	SLV5-AROVG	SLV5-AROC	MATERIAL
1	SLV5-1	FOOTVALVE ELBOW BODY SLV5-1	1	1	1	ALUMINIUM
2	SLV5-2AS	LID & ROLLER ASSY	1	-	-	ALUM / FKM
	SLV5-2ASVG	LID & ROLLER ASSY	-	1	-	ALUM / FKM
	SLV5-2ASK	LID & ROLLER ASSY - CHEMICAL	-	-	1	ALUM / FFKM
3	ARO100	AIR RAM FOR FOOT VALVES (STD)	1	-	-	ALUMINIUM
	ARO100VG	AIR RAM FOR FOOT VALVES (GFLT)	-	1	-	ALUMINIUM
	ARO100C	AIR RAM FOR FOOT VALVES (CHEM)	-	-	1	ALUMINIUM
4	6154	SPRING DOUBLE TORSION	1	1	1	ST STEEL
5	SLV5-8	PIN PIVOT OPERATING	1	1	1	ST STEEL
6	0812	WASHER FLAT LARGE	2	2	2	ST STEEL
7	0764	SPLIT PIN	1	1	1	ST STEEL

X1102015.C

METERS - VALVES - VENTS - MANHOLES - HOSEREELS - OVERFILL PROTECTION - LOADING ARMS - ELECTRONIC DIPSTICKS