

API455 Dry Break Bottom Loading Valve

The API455 is a distinctive dry break adaptor with no built-in opening method, it can only be opened by an external source, such as an API coupler.

The API455 conforms to API RP 1004 and is completely interchangeable with all API adaptors.

Common Applications

- Rail car applications
- Remote tanks.
- Theft prevention.

Key Features

- Lightweight API adaptor for use where it is preferred to have the operation of the valve via a secondary method. E.g.. API800 series coupler or the API-RC.
- Poppet can only be opened by an external source, such as API800 coupler.
- Light weight: 2.35kg.
- 100mm bore all through for minimum pressure drop.
- Nose cone is heat-treated for increased product life.
- 4" TTMA flange is gramophone finish for improved sealing.
- Max. working pressure 700kPa (100PSI)
- Commonly used in rail car applications, theft prevention and remote tanks.



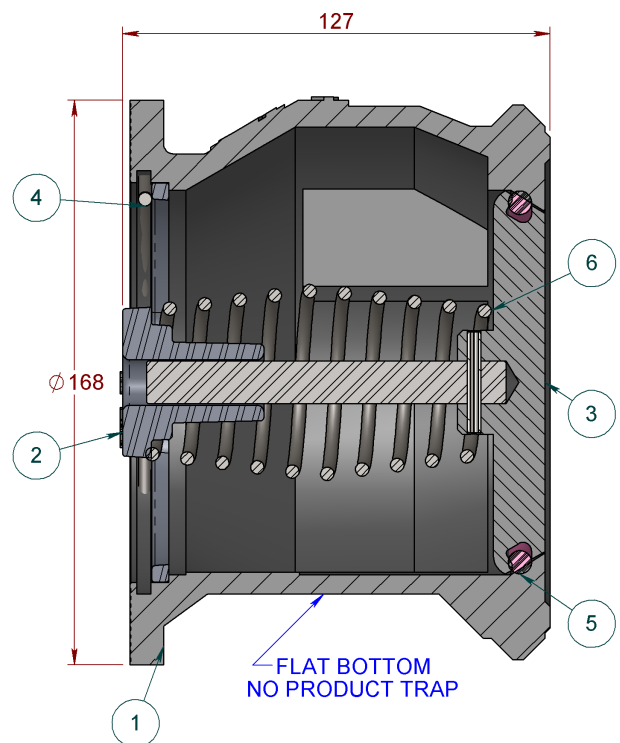
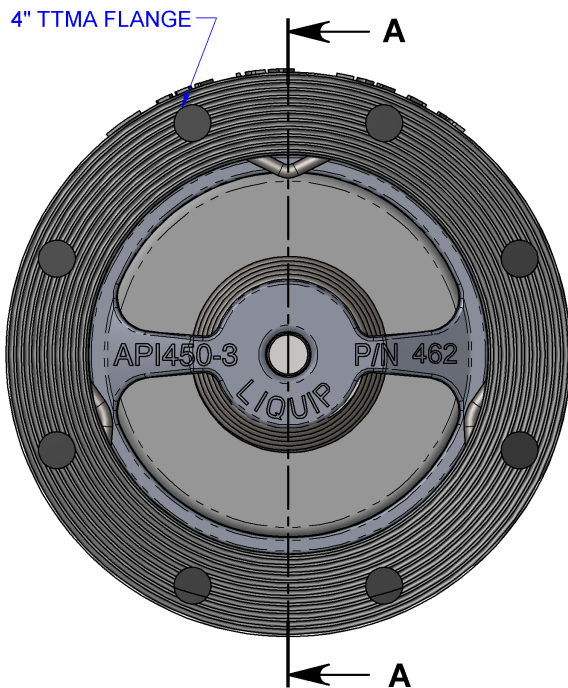
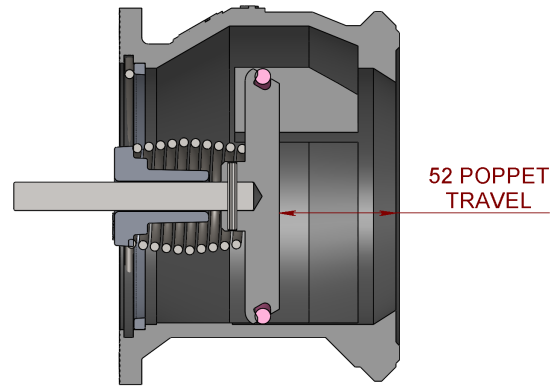
Ordering Information

API455 Non-openable API adapter fitted with Viton B70 seals.

Technical Information

Pressure Rating	Max working pressure: 700kPa (100PSI). Max. recommended internal pressure when connecting female coupling: 400kPa (approx 60 PSI).
Bore	100mm bore all through for minimum pressure drop.
Weight	2.4kg
Poppet travel	52mm
Continuity	Electrical continuity guaranteed by use of non-anodised nose cone.
Mounting	Gramophone finished flange is 100mm TTMA. Mounts with flat end facing ground to have full product drainage.
Material	Aluminium body, spider and poppet Stainless steel shaft, spring and circlip Viton o-rings
Associated Equipment	<ul style="list-style-type: none"> • API-DC: Aluminium API Dust Cap with Camlocks. • API-DCLA: Aluminium API Dust Cap with lockable levers. • 0657V: 4" TTMA Viton A Gasket. • BF4-SG-25: 4" TTMA Flange Sight glass 25mm thickness. • BF4-SG-45: 4" TTMA Flange Sight glass 40mm thickness.

API455 NON-OPENABLE API ADAPTOR



SECTION A-A

ITEM	PART No.	DESCRIPTION	QTY	MATERIAL
1	API455-1	BODY	1	ALUMINIUM
2	API450-3	SPIDER, SPRING RETAINING	1	ALUMINIUM
3	API455-2	SHAFT/POPPET ASSEMBLY	1	ST STEEL/ALUM
4	4469	SPRING CLIP	1	ST STEEL
5	0289	O-RING SPECIAL	1	VITON B70
6	0330	POPPET SPRING	1	ST STEEL

METERS - VALVES - VENTS - MANHOLES - HOSEREELS - OVERFILL PROTECTION - LOADING ARMS - ELECTRONIC DIPSTICKS



LIQUIP INTERNATIONAL PTY LTD
 13 HUME ROAD SMITHFIELD SYDNEY N.S.W. AUSTRALIA 2164
 Phone: +61 2 9725-9000 Fax: +61 2 9725-1252 Web: www.liquip.com

X1368

Sheet 1 of 1
Issue: G